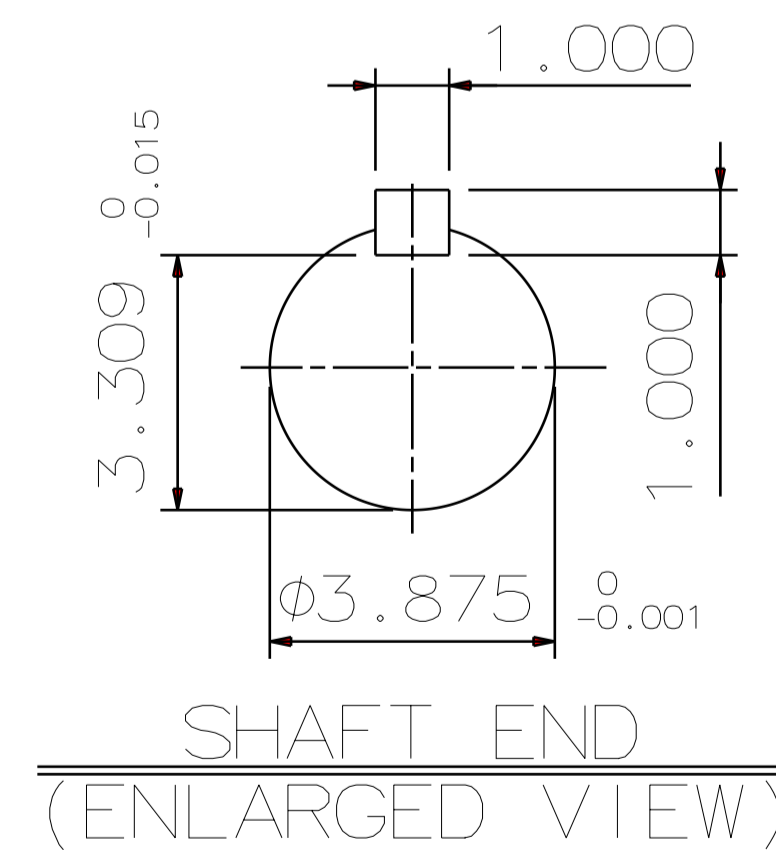
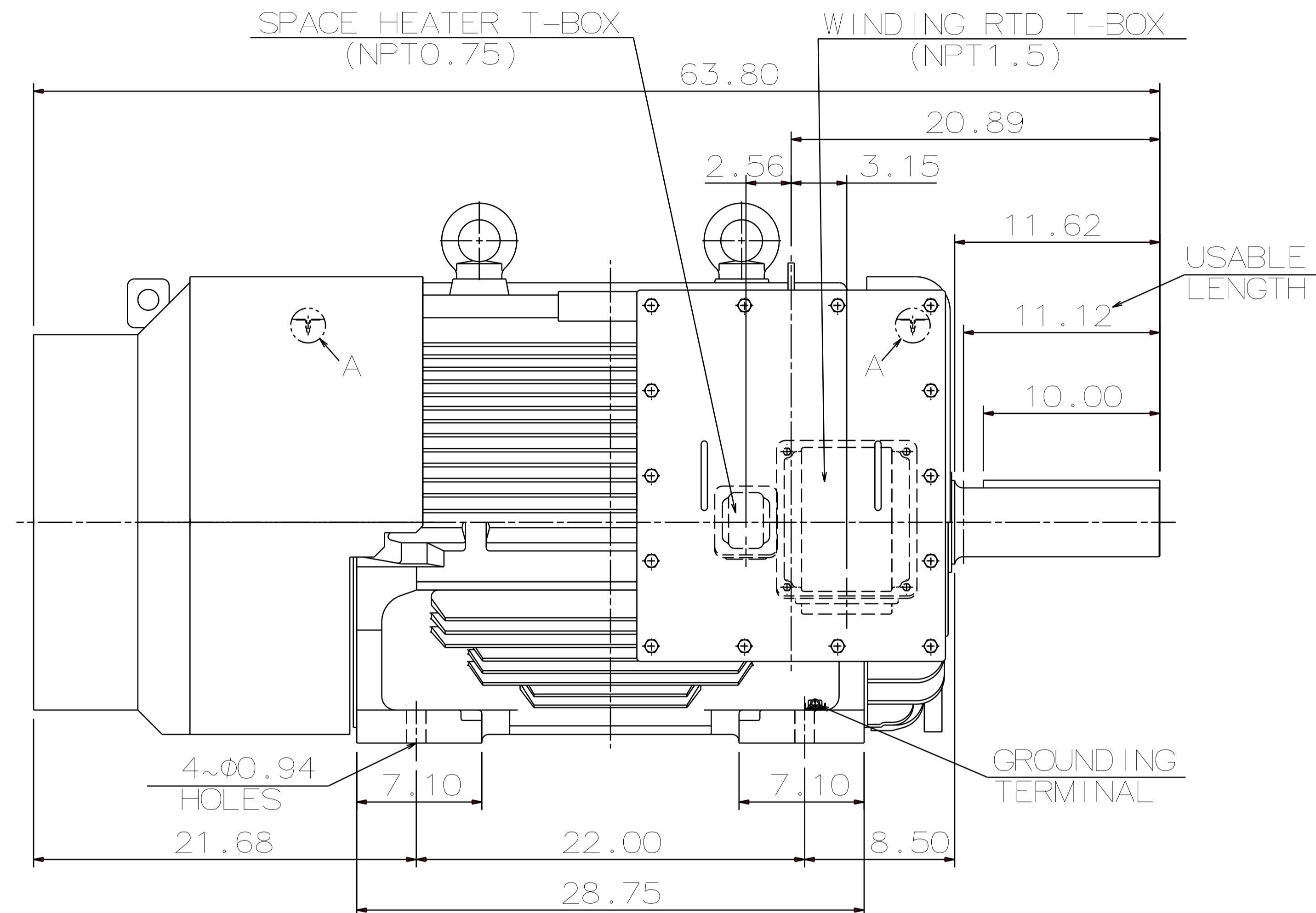
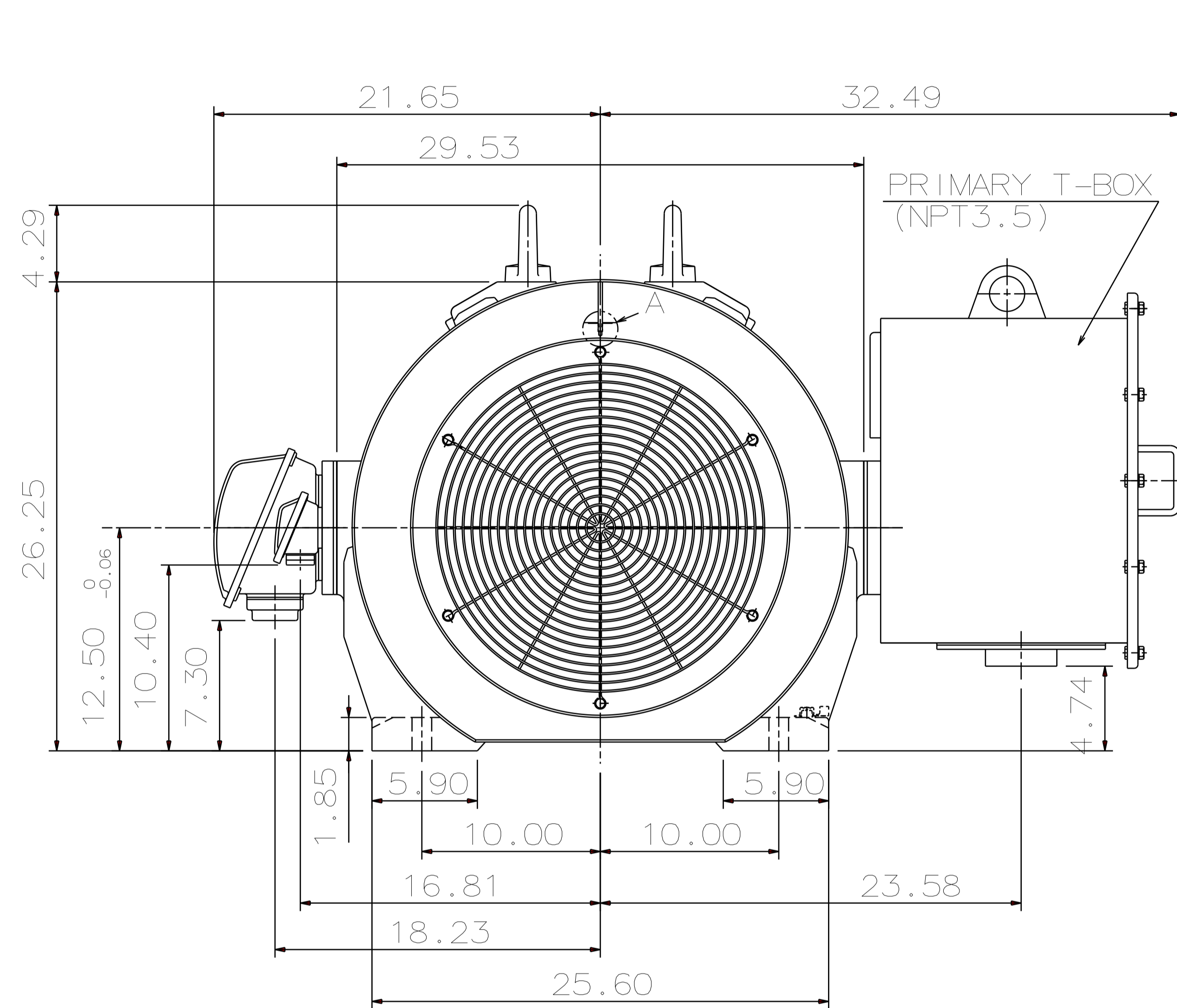




DETAIL A
(PROVISION FOR VIBRATION SENSOR)

TYPE	OUTPUT		POLE	TIME RATING	VOLTAGE V	Hz	SYN. SPEED R.P.M
	HP.	kW.					
AEHAGD	150	111.8	8	CONT.	2300/4000	60	900

TOTALLY ENCLOSED FAN-COOLED TYPE, SQUIRREL-CAGE ROTOR



- NOTE:
- DIMENSIONS IN inch
 - FRAME NO. 5007C
 - F CLASS INSULATION, S.F.1.15
 - FOR BELT DRIVE
 - ENCLOSURE: IP55
 - BEARING SIZE: DRIVE-END NU324C3
OPP. DRIVE-END 6320
 - WITH WINDING RTD: PT 100Ω/0°C 6PCS
 - WITH SPACE HEATER: SINGLE PHASE, 120V
 - PROVISION FOR BEARING RTD MOUNTING: 2~PT1/2" TAPS PER BRACKET
 - NON-SPARKING FAN
 - CORROSION PROOF
 - APPROXIMATE WEIGHT: 3,650 LBS

DATE	DEC 08 2016	OUTLINE DIMENSIONS
	KD1508R	

DWN.	J. CHANG	MAY. 23. 2015
CHKD.	H. HUANG	MAY. 23. 2015
APPD.	C. LIU	MAY. 23. 2015

TEC Westinghouse

DWG NO. REV:00
4B040L387